

KEITH
MANUFACTURING CO

KMD 250 / KMD 300

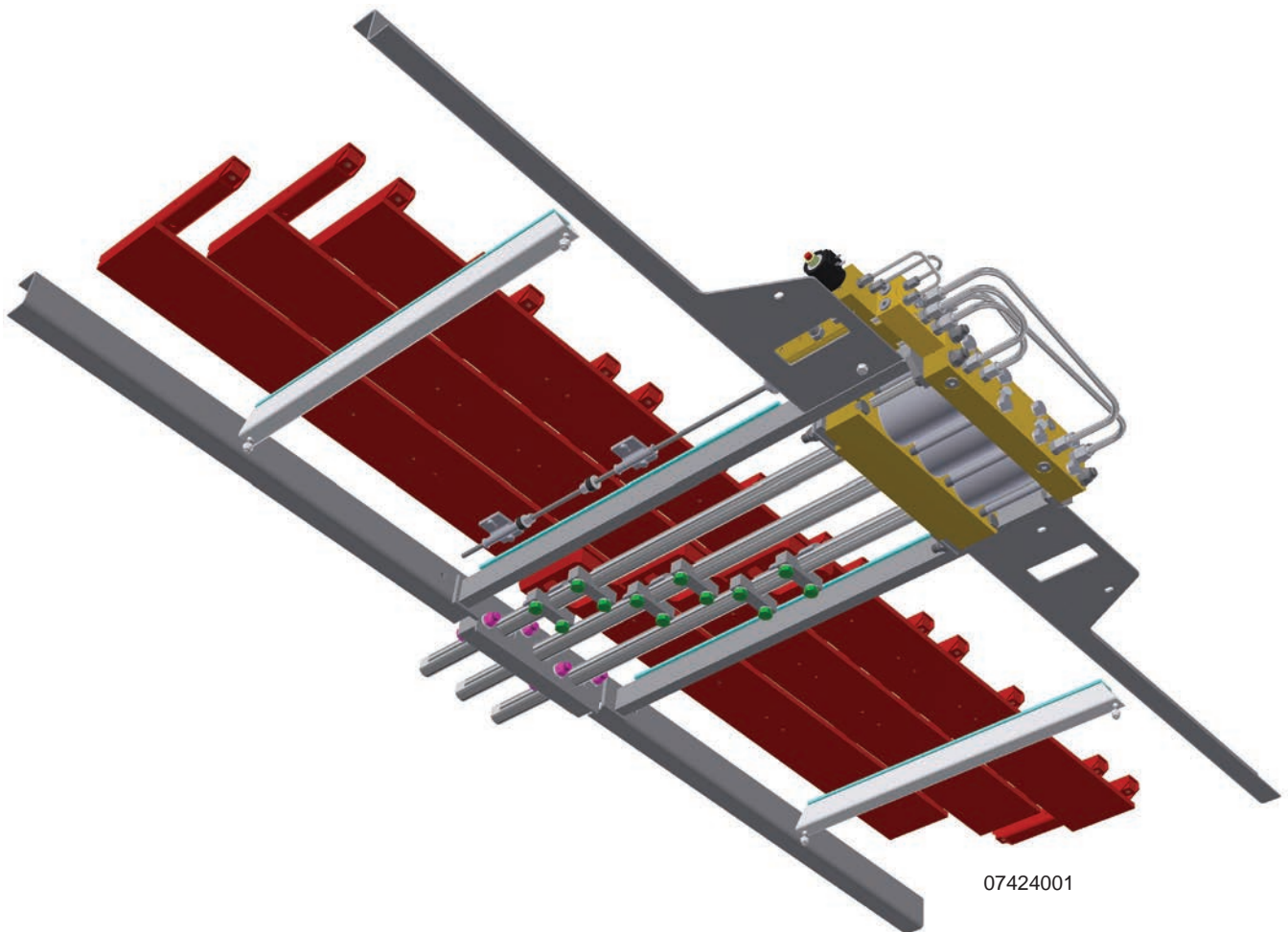
KEITH Manufacturing Co.

www.KeithWalkingFloor.com

World Headquarters

Toll-Free: 800-547-6161

Phone: +1-541-475-3802



PARTS CATALOG

©2023 KEITH Manufacturing Co. All Rights Reserved. KEITH, KEITH logo and WALKING FLOOR are registered trademarks of KEITH Manufacturing Co. Equipment manufactured by KEITH Manufacturing Co. is protected by numerous patents both domestic and foreign.

Released: 2023-05-11

DOC06381 Rev. C

Table of Contents

Contact Information - KEITH Manufacturing Co.....	ii
Service Information.....	ii
Drive Frame & Rod Bearing Block Assembly.....	1
Cross-Drive Assembly.....	2
Cross-Drive Support Assembly.....	3
Cylinder Pack Installation Hardware.....	4
Cylinder Pack Assembly KMD-300 - ORFS.....	5
Cylinder Pack Assembly KMD-300 - JIC.....	7
Cylinder Pack Assembly KMD-250 - JIC.....	9
Check Valve Assembly.....	11
Restrictor Valve Assembly.....	12
Switching Valve Assembly - ORFS.....	13
Switching Valve Assembly - JIC.....	15
Switching Valve Actuator Assembly.....	17
Inside Tubes - Left Hand Drive - ORFS.....	19
Outside Tubes - Left Hand Drive - ORFS.....	20
Inside Tubes - Right Hand Drive - ORFS.....	21
Outside Tubes - Right Hand Drive - ORFS.....	22
Inside Tubes - Left Hand Drive - JIC.....	23
Outside Tubes - Left Hand Drive - JIC.....	24
Inside Tubes - Right Hand Drive - JIC.....	25
Outside Tubes - Right Hand Drive - JIC.....	26
Handle Assemblies.....	27

Contact Information - KEITH Manufacturing Co.

World Headquarters - USA

401 NW Adler St.
P.O. Box 1
Madras, OR 97741
Toll-Free: 800-547-6161
Phone: +1-541-475-3802
Email: Sales@KeithWalkingFloor.com

Canada

Brantford, ON
Phone: +1-519-756-9178
Email: CanadaSales@KeithWalkingFloor.com

México

Guadalajara, Jal.
Phone: +52-333-616-5079
Email: KMC_Mexico@KeithWalkingFloor.com

Australia

Waverley Gardens, VIC
Phone: +61-3-9562-2190
Email: AUSales@KeithWalkingFloor.com

Europe

Barneveld, The Netherlands
Phone: +31-342-422007
Email: EuroSales@KeithWalkingFloor.com

Not all parts or services available in all regions. Some components may only be sold assembled or in kits. Contact your regional office for information on available parts and services.

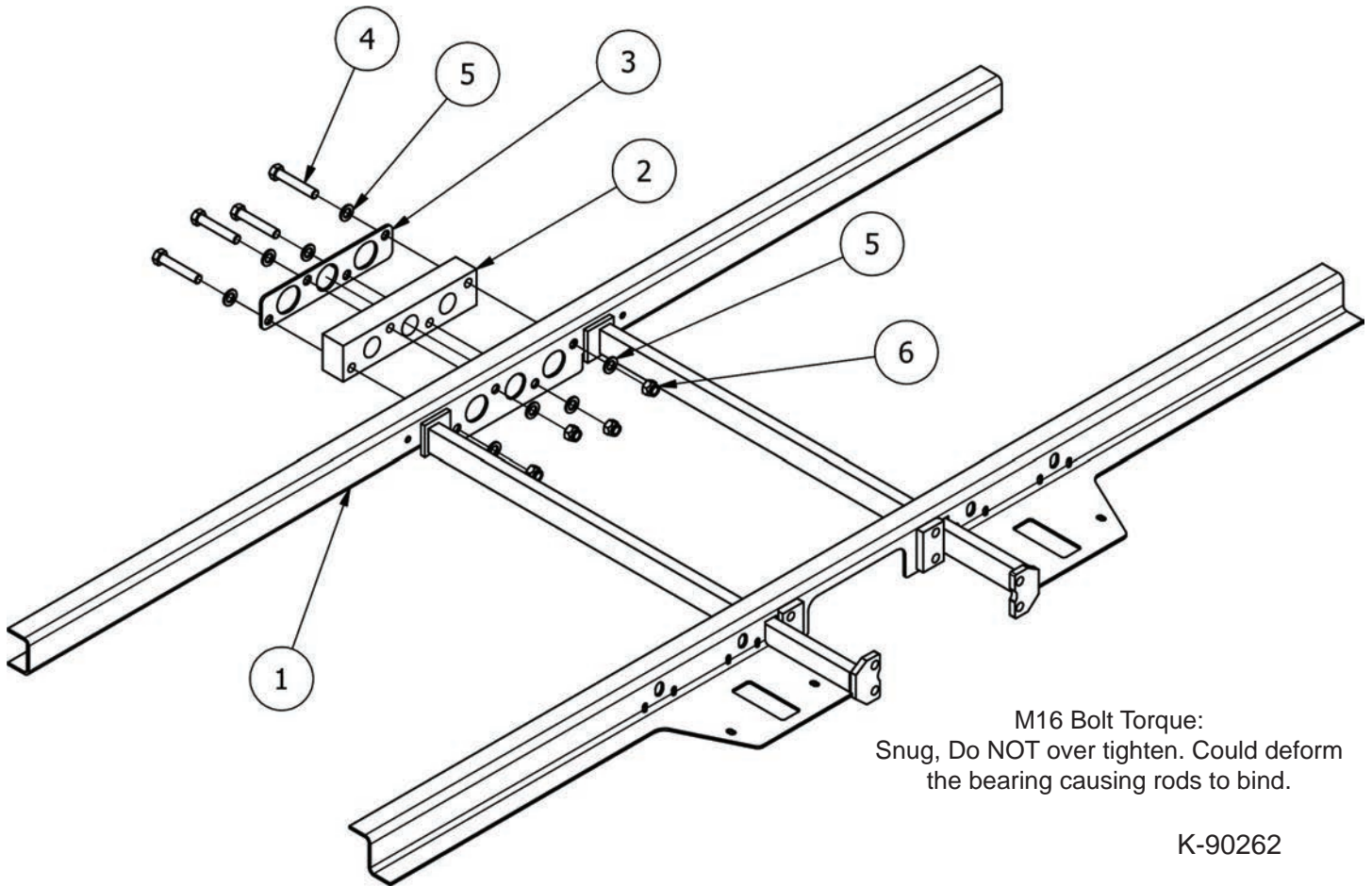
Service Information

- Use hydraulic oil or Vaseline to lubricate seals. Do NOT use grease.
- Do NOT use Teflon tape on any hydraulic components.
- When welding on drive frame, ground specifically to what you are welding on, otherwise it can short across component assemblies ruining seals and gaskets.
- KEITH sells flow meters, pressure testers for troubleshooting and several tools to aid in rebuilding components and drives.

Please have the following information readily available before contacting KEITH for support:

- Model Number (Located on the Serial Plate of the drive unit)
- Serial Number (Located on the Serial Plate on the drive unit)
- Quantity & Length of floor slats
- Vehicle make and unit installer

Drive Frame & Rod Bearing Block Assembly



M16 Bolt Torque:
Snug, Do NOT over tighten. Could deform the bearing causing rods to bind.

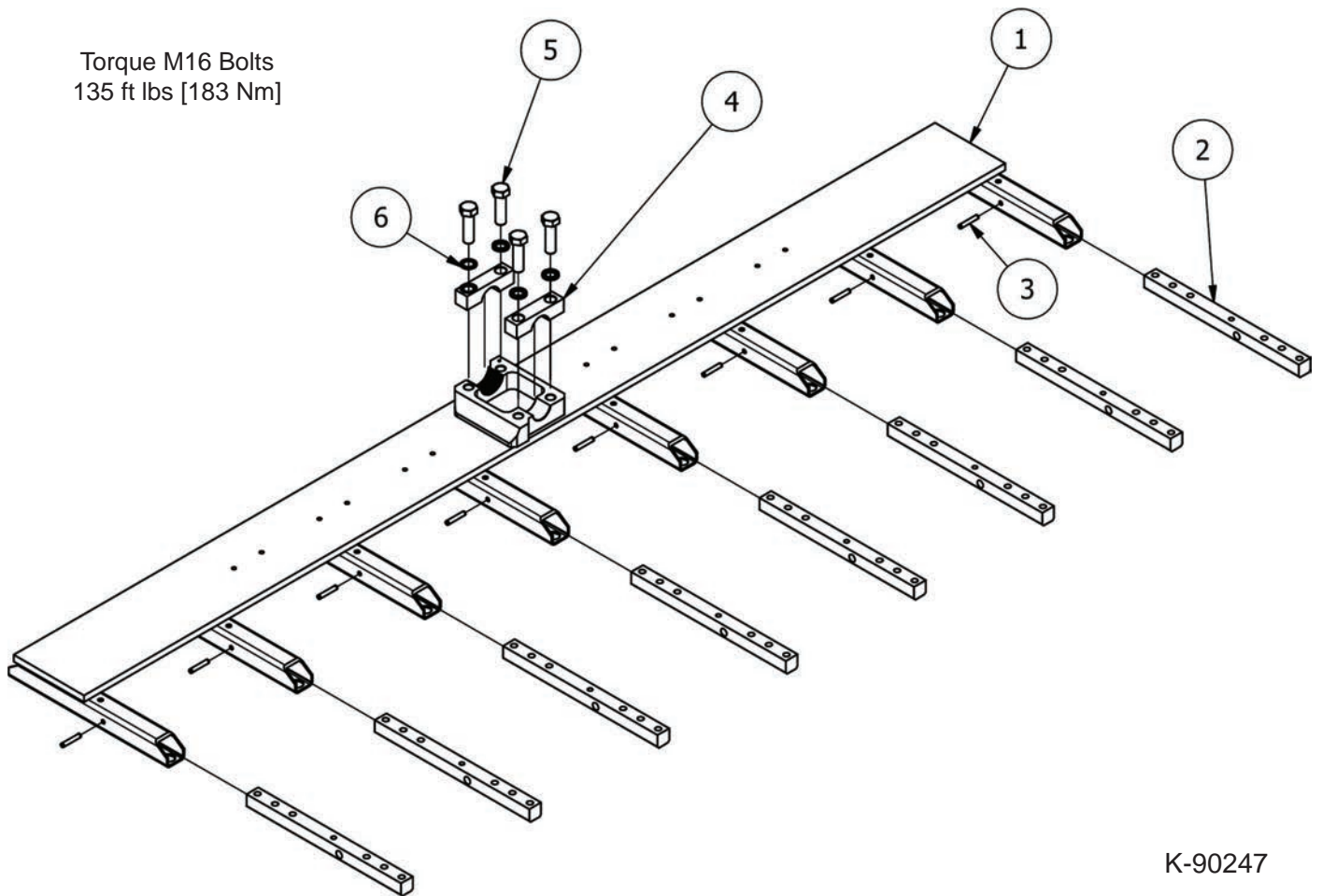
K-90262

Drive Frame & Rod Bearing Block Assembly

ID#	Qty	Part #	Part #	Part #	Description
-	1	09026201	-	-	Drive Frame Assembly, 3.0" Crossmember, 3.65" CC (Includes Items 1-6)
-	1	-	09026202	-	Drive Frame Assembly, 80mm Crossmember, 97 mm CC (Includes Items 1-6)
-	1	-	-	09026203	Drive Frame Assembly, 3.0" Crossmember, 97 mm CC (Includes Items 1-6)
1	1	05117301	-	05117301	Drive Frame, 3.0"
1	1	-	05397701	-	Drive Frame, 80mm
2	1	05120801	-	-	UHMW Rod Bearing Block, 3.65" Cylinder Centers
2	1	-	05037101	05037101	UHMW Rod Bearing Block, 97mm Cylinder Centers
3	1	-	05037001	-	Rod Bearing Cover Plate
4	4	-	87017600	-	Bolt, M16mm x 90mm
5	8	-	87077500	-	Flat Washer, 16mm
6	4	-	87103010	-	Nylock Nut, 16mm

Cross-Drive Assembly

Torque M16 Bolts
135 ft lbs [183 Nm]

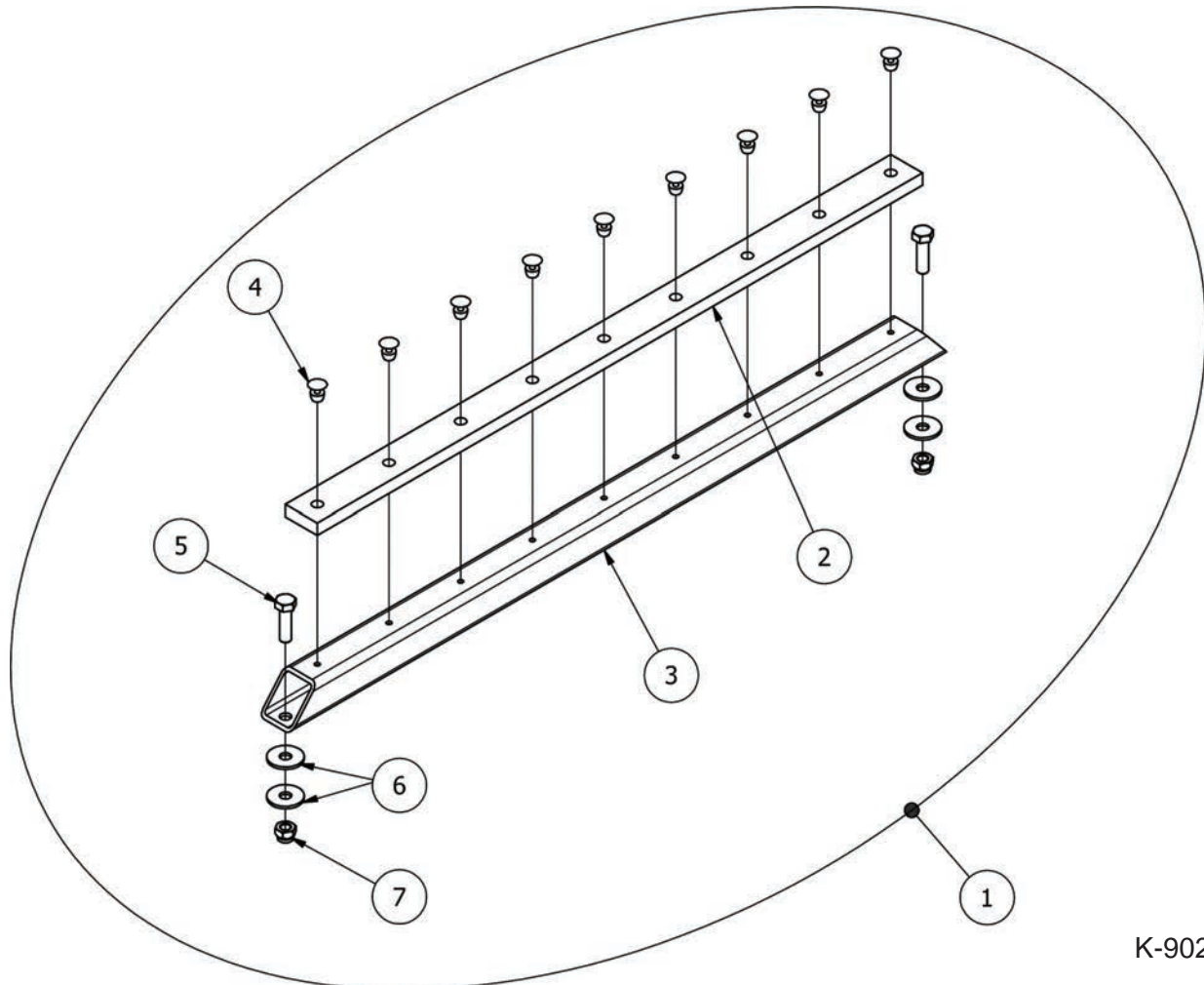


K-90247

Cross Drive Assembly

ID#	Qty	Part #	Description
1	1	05129002	Cross-Drive Assembly (18 Slat/3.65" Cylinder Centers) (Includes Items 2-6)
1	1	05129202	Cross-Drive Assembly (18 Slat/97mm Cylinder Centers) (Includes Items 2-6)
1	1	05225902	Cross-Drive Assembly (21 Slat/3.65" Cylinder Centers) (Includes Items 2-6)
1	1	05129302	Cross-Drive Assembly (21 Slat/97mm Cylinder Centers) (Includes Items 2-6)
1	1	05194902	Cross-Drive Assembly (24 Slat/3.65" Cylinder Centers) (Includes Items 2-6)
1	1	05150502	Cross-Drive Assembly (24 Slat/97mm Cylinder Centers) (Includes Items 2-6)
2	Varies	05037702	Drive Shoe Nut Bar
3	Varies	86651450	Roll Pin 1/4" x 1-1/2"
4	2	04433001	Lower Cross-Drive Clamp
5	4	87016520	Bolt M16x55mm
6	4	86559090	Nord-lock Washer 5/8"

Cross-Drive Support Assembly

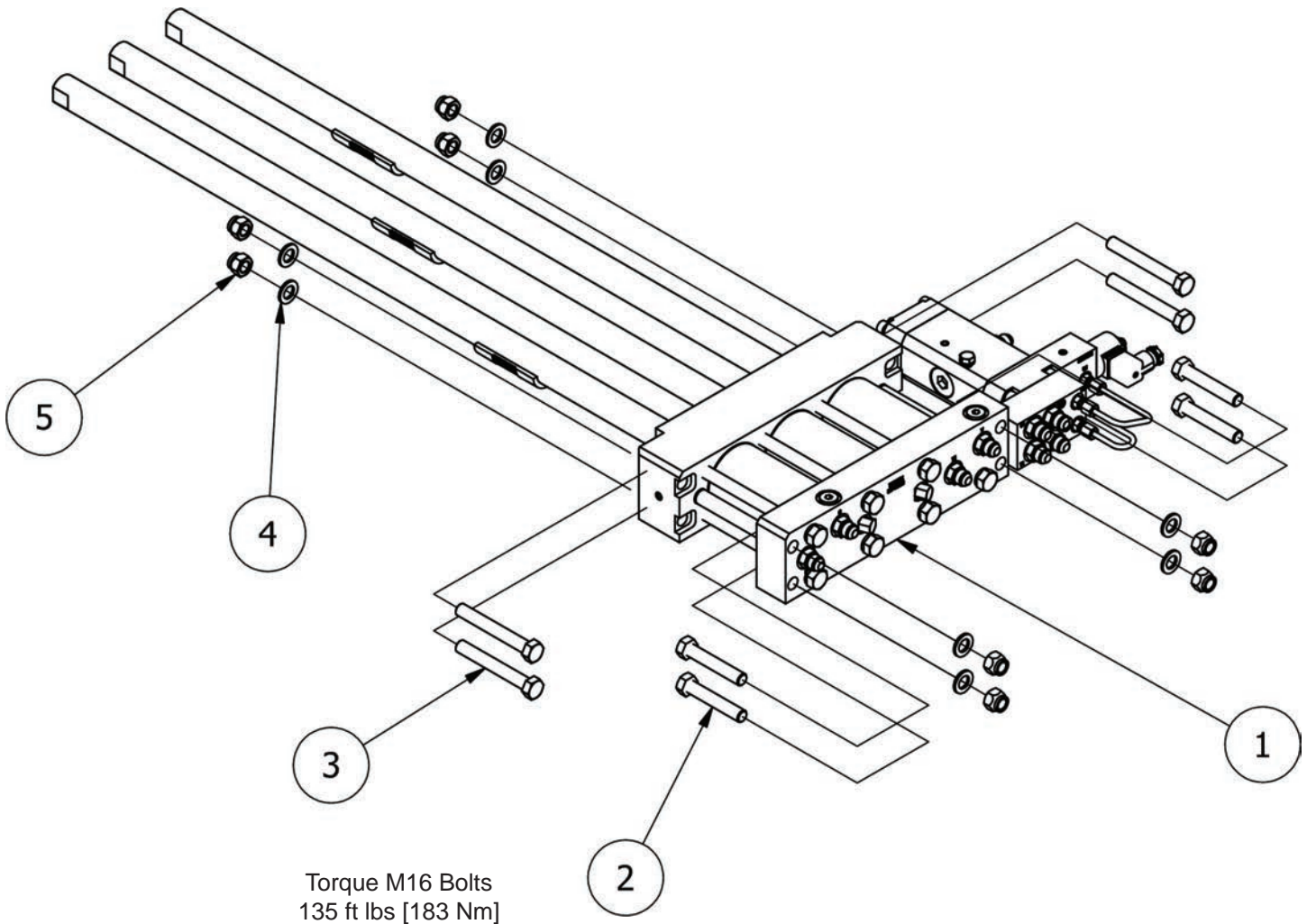


K-90249

Cross Drive Support Assembly

ID#	Qty	Part #	Description
1	2	05233201	Cross-Drive Support Assembly (for 3" Cross-Member) (Includes Items 2-7)
2	1	05236602	UHMW 3/8" Thick Cross-Drive Support Bearing
1	2	05233301	Cross-Drive Support Assembly (for 80mm Cross-Member) (Includes Items 2-7)
2	1	05236603	UHMW 1/2" Thick Cross-Drive Support Bearing
3	1	05473701	KMD Cross-Drive Support Tube
4	2	87008510	Bolt 10mm x 35mm
5	4	86553500	Large OD 3/8" Washer
6	2	87102000	Nylock Nut 10mm
7	9	86528000	Pop Rivet 3/16" x 3/8"

Cylinder Pack Installation Hardware

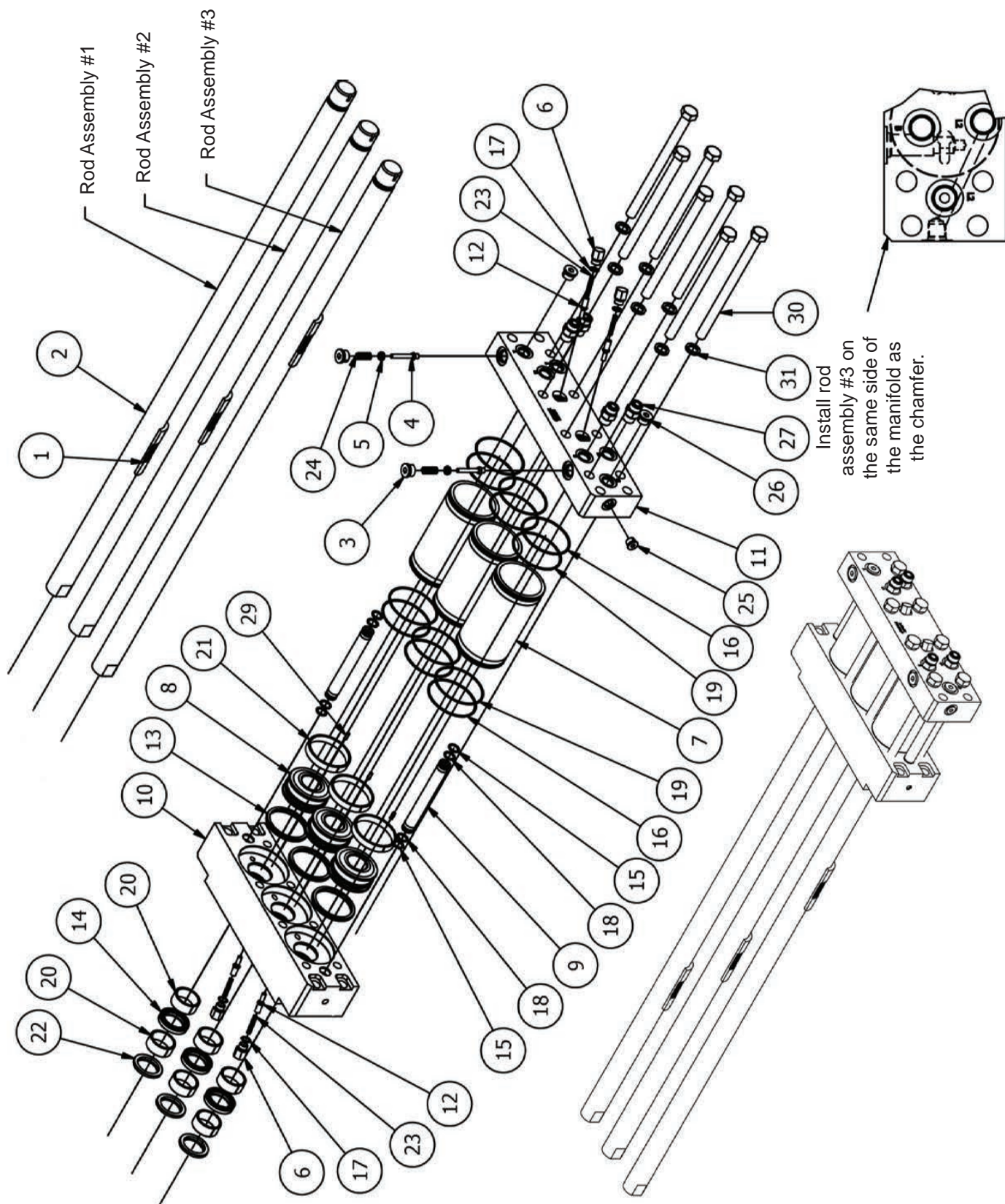


K-89351

Cylinder Pack Installation Hardware

ID#	Qty	Part #	Description
1	1	-	Cylinder Pack Assembly
2	4	87017600	Bolt 16mmx90mm
3	4	87018500	Bolt 16mmx120mm
4	8	87077500	Flat Washer 16mm
5	8	87103010	Nylock Nut 16mm

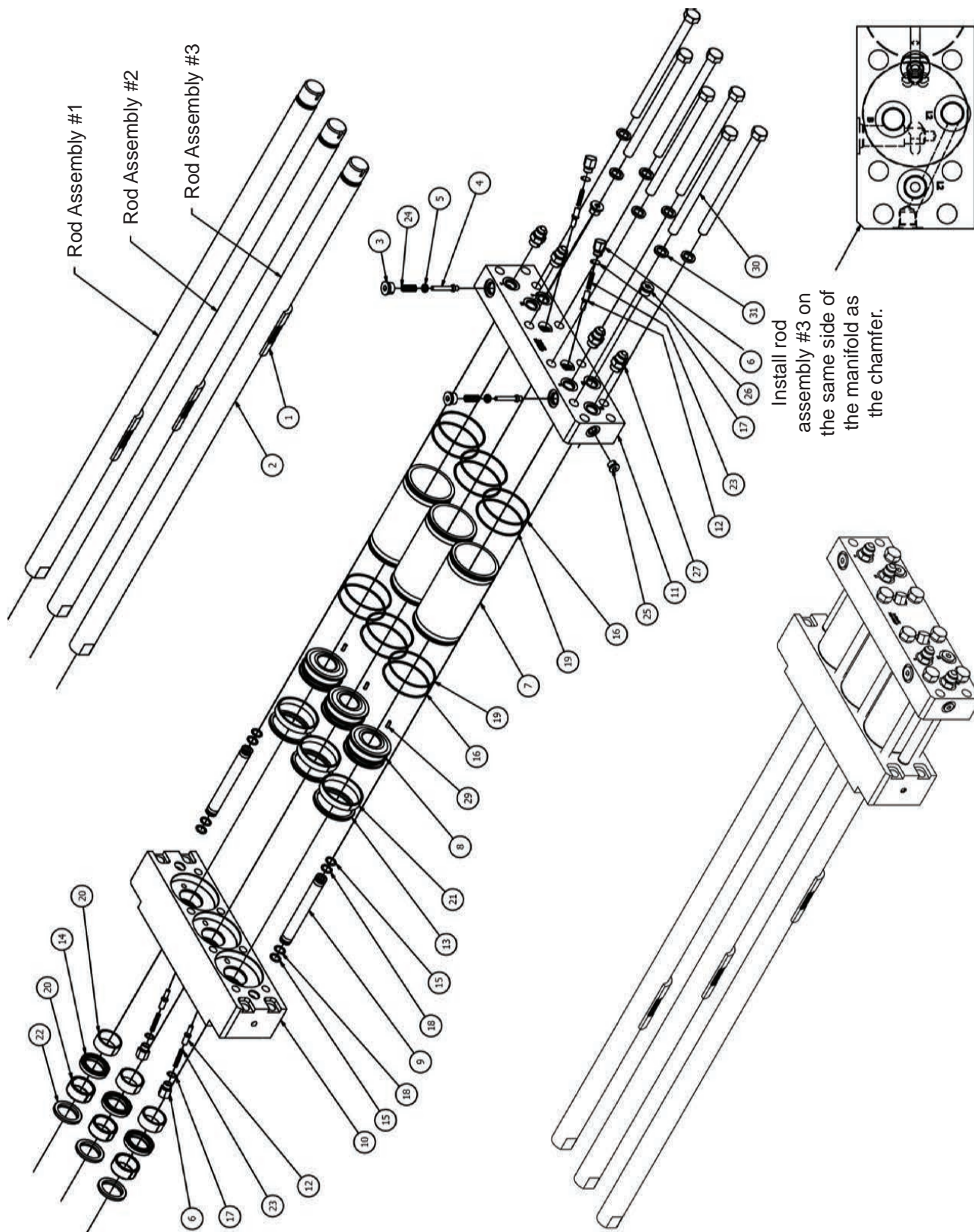
Cylinder Pack Assembly KMD-300 - ORFS



Cylinder Pack Assembly KMD-300 - ORFS

ID#	Qty	3.65" SC Part #	97 mm SC Part #	Description
-	-	10390501	10390701	Cylinder Pack Assembly - ORFS 5" Stroke (Includes items 1-31)
1	3	04432601		THREADED PAD 1.5" ROD KMD
2	3	05037301		DRIVE ROD 1-1/2X46-13/16 KMD
3	2	05110601		PLUG, -8 SAE O-RING HEX SOCKET, PARKER 8 HP50N
4	2	05110701		ROD RESTRICTOR VALVE KMD
5	2	05110901		COLLAR RESTRICTOR VALVE KMD
6	4	06351701		-6 EXTENDED HEX CAP
7	3	07392401		CYL BARREL 5" STROKE MD300
8	3	07392501		PISTON ST SINGLE SEAL KMD300B
9	2	07393001		HYD TUBE 3/4X6.06" KMD
10	1	07504301	07817001	FRONT HEAD MANIFOLD
11	1	07504501	07817201	REAR MANIFOLD W/ WEAR RINGS, 5" STROKE KMD300C
12	4	07504701		Check Valve Poppet KMD 250/300
13	3	84350250		SEAL PISTON CP-334 3.0" KMD
14	3	84351000		SEAL ROD CYL 001-115 KWF KMD
15	4	84376600		113 O-RING BUNA 90
16	6	84378452		152 O-RING BUNA 90
17	4	84386800		O-RING 906 BUNA 90
18	4	84389013		113 BACK-UP BUNA 90
19	6	84389052		152 BACK-UP BUNA 90
20	6	84403705		WEAR RING 1.75 X .750 X .125
21	3	84404600		WEAR RING 3.0" PISTON R2
22	3	84426001		ROD WIPER Ø1.500 PARKER 4615SHD01500
23	4	84450220		Spring B3-43
24	2	84457000		SPRING 71401 KMD
25	1	84687400		06 HP50N-S HOLLOW HEX PLUG M O-RING HEX SOCKET
26	2	84687500		08 HP50N-S HOLLOW HEX PLUG M O-RING
27	4	84685683		-8 F5OLO-S 8-8 STRAIGHT THREAD CONNECTOR, FACE SEAL
29	3	86650400		PIN DRIVE LOCK 3/16" X 1/2"
30	7	87019300		Hex Bolt - M16 x 2 x 233
31	7	87078000		WASHER LOCK HIGH COLLAR 16mm

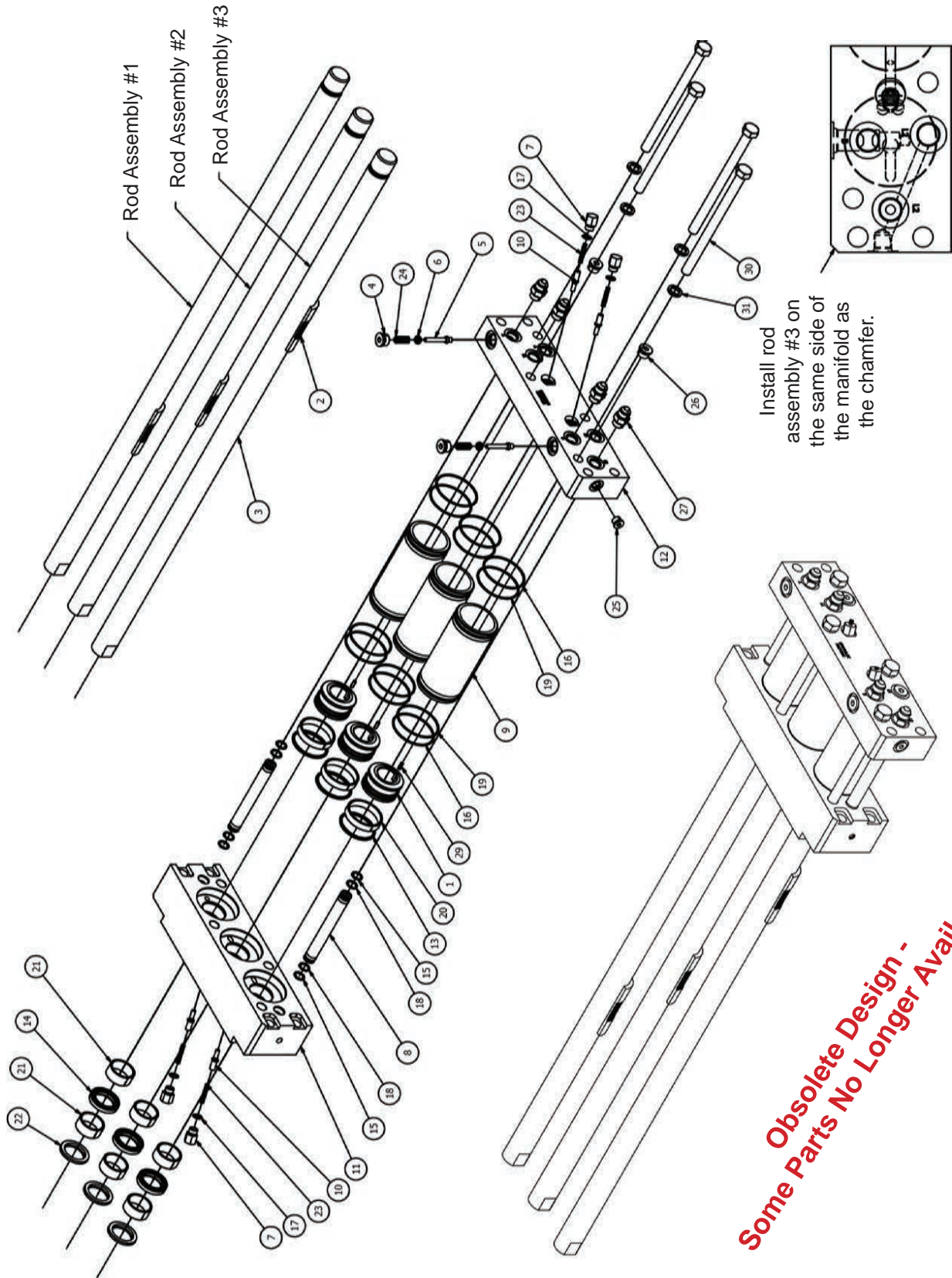
Cylinder Pack Assembly KMD-300 - JIC



Cylinder Pack Assembly KMD-300 - JIC

ID#	Qty	3.65" SC Part #	97 mm SC Part #	Description
-	-	07504201	07816901	Cylinder Pack Assembly - JIC 5" Stroke (Includes items 1-31)
1	3	04432601		THREADED PAD 1.5" ROD KMD
2	3	05037301		DRIVE ROD 1-1/2X46-13/16 KMD
3	2	05110601		PLUG, -8 SAE O-RING HEX SOCKET, PARKER 8 HP50N
4	2	05110701		ROD RESTRICTOR VALVE KMD
5	2	05110901		COLLAR RESTRICTOR VALVE KMD
6	4	06351701		-6 EXTENDED HEX CAP
7	3	07392401		CYL BARREL 5" STROKE MD300
8	3	07392501		PISTON ST SINGLE SEAL KMD300B
9	2	07393001		HYD TUBE 3/4X6.06" KMD
10	1	07504301	07817001	FRONT HEAD MANIFOLD
11	1	07504501	07817201	REAR MANIFOLD W/ WEAR RINGS, 5" STROKE KMD300C
12	4	07504701		Check Valve Poppet KMD 250/300
13	3	84350250		SEAL PISTON CP-334 3.0" KMD
14	3	84351000		SEAL ROD CYL 001-115 KWF KMD
15	4	84376600		113 O-RING BUNA 90
16	6	84378452		152 O-RING BUNA 90
17	4	84386800		O-RING 906 BUNA 90
18	4	84389013		113 BACK-UP BUNA 90
19	6	84389052		152 BACK-UP BUNA 90
20	6	84403705		WEAR RING 1.75 X .750 X .125
21	3	84404600		WEAR RING 3.0" PISTON R2
22	3	84426001		ROD WIPER Ø1.500 PARKER 4615SHD01500
23	4	84450220		Spring B3-43
24	2	84457000		SPRING 71401 KMD
25	1	84687400		06 HP50N-S HOLLOW HEX PLUG M O-RING HEX SOCKET
26	2	84687500		08 HP50N-S HOLLOW HEX PLUG M O-RING
27	4	84684300		08 F5OX-S STRAIGHT THREAD CONNECTOR MJIC X M O-RING
29	3	86650400		PIN DRIVE LOCK 3/16" X 1/2"
30	7	87019300		Hex Bolt - M16 x 2 x 233
31	7	87078000		WASHER LOCK HIGH COLLAR 16mm
-	-	05367901		Seal Kit KMD 300 - JIC

Cylinder Pack Assembly KMD-250 - JIC

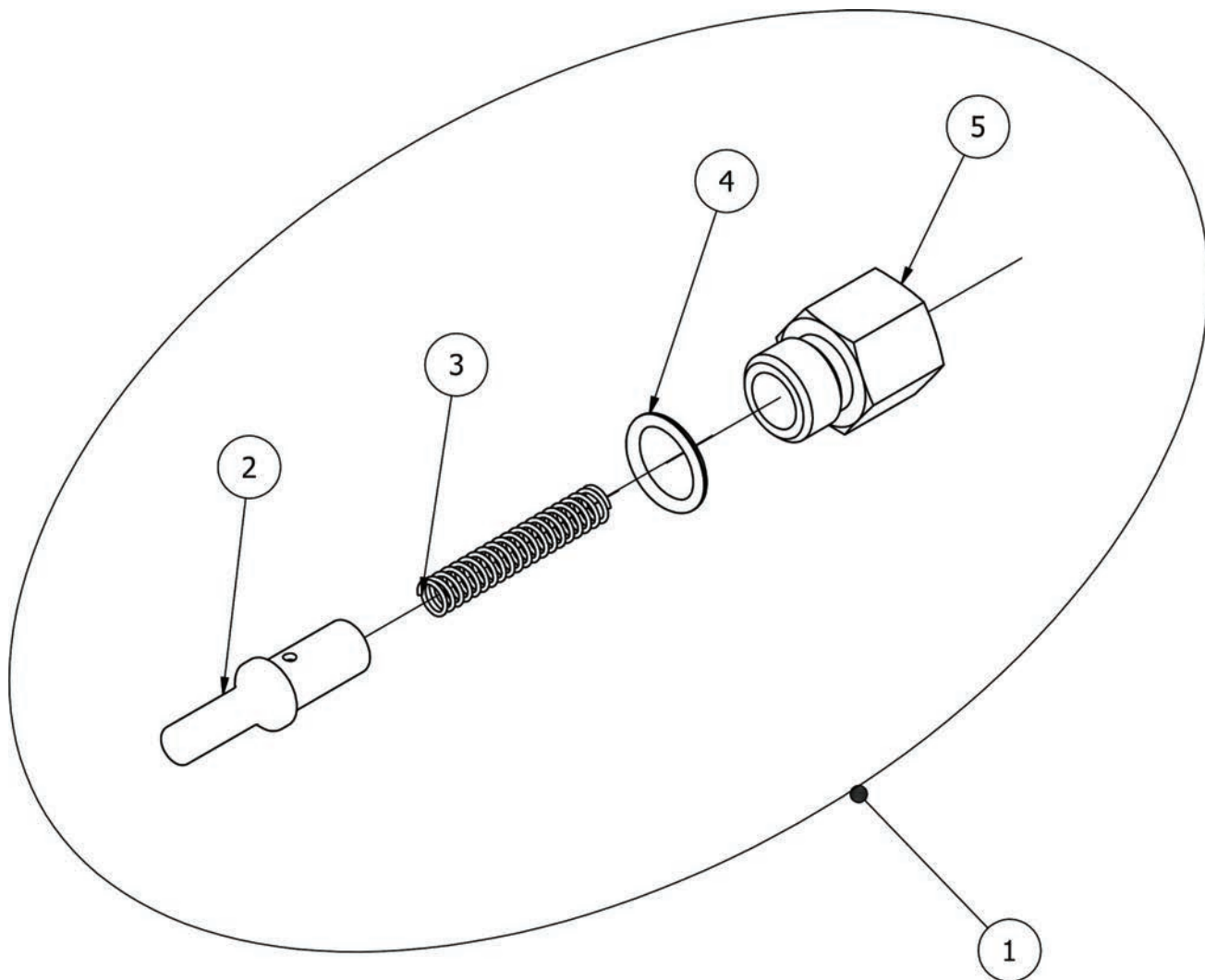


Restrictor Valve Assembly KMD-250 - JIC

ID#	Qty	3.65" SC Part #	97 mm SC Part #	Description
-	-	07504901	07817401	Cylinder Pack Assembly - JIC 5" Stroke (Includes items 1-31)
-	-	-	05431001	Cylinder Pack Assembly - JIC, 50 mm Stroke (Includes items 1-32)
1	3	04432301		PISTON SINGLE SEAL 2.5" KMD
2	3	04432601		THREADED PAD 1.5" ROD KMD
3	3	05037301		DRIVE ROD 1-1/2X46-13/16 KMD
4	2	05110601		PLUG, -8 SAE O-RING HEX SOCKET, PARKER 8 HP50N
5	2	05110701		ROD RESTRICTOR VALVE KMD
6	2	05110901		COLLAR RESTRICTOR VALVE KMD
7	4	06351701		-6 EXTENDED HEX CAP
8	2	07393001		HYD TUBE 3/4X6.06" KMD
9	3	07401901		CYL BARREL 5" STROKE MD250
10	4	07504701		Check Valve Poppet KMD 250/300
11	1	07505001	07817501	2-1/2" FRONT HEAD MANIFOLD, 2 WEAR RINGS
12	1	07505201	07817701	REAR MANIFOLD W/ WEAR RINGS, 5" STROKE
13	3	84350300		SEAL PISTON CP-228 2.5" CROWN
14	3	84351000		SEAL ROD CYL 001-115 KWF KMD
15	4	84376600		113 O-RING BUNA 90
16	6	84378449		149 O-Ring Buna 90
17	4	84386800		O-RING 906 BUNA 90
18	4	84389013		113 BACK-UP BUNA 90
19	6	84389049		RING O-RING BACK-UP PARKER PARBAK 8-149
20	3	84403600		WEAR RING W125-2500-500
21	6	84403705		WEAR RING 1.75 X .750 X .125
22	3	84426001		ROD WIPER Ø1.500 PARKER 4615SHD01500
23	4	84450220		Spring B3-43
24	2	84457000		SPRING 71401 KMD
25	1	84687400		06 HP50N-S HOLLOW HEX PLUG M O-RING HEX SOCKET
26	2	84687500		08 HP50N-S HOLLOW HEX PLUG M O-RING
27	4	84684300		08 F50X-S STRAIGHT THREAD CONNECTOR MJIC X M O-RING
29	3	86650400		PIN DRIVE LOCK 3/16" X 1/2"
30	4	87019300		Hex Bolt - M16 x 2 x 233
31	4	87078000		WASHER LOCK HIGH COLLAR 16mm
32	3	05428201		Stroke Limit Sleeve 50 mm (not shown)
-	-	05367801		Seal Kit KMD 250 - JIC

Obsolete Design -
Some Parts No Longer Available

Check Valve Assembly



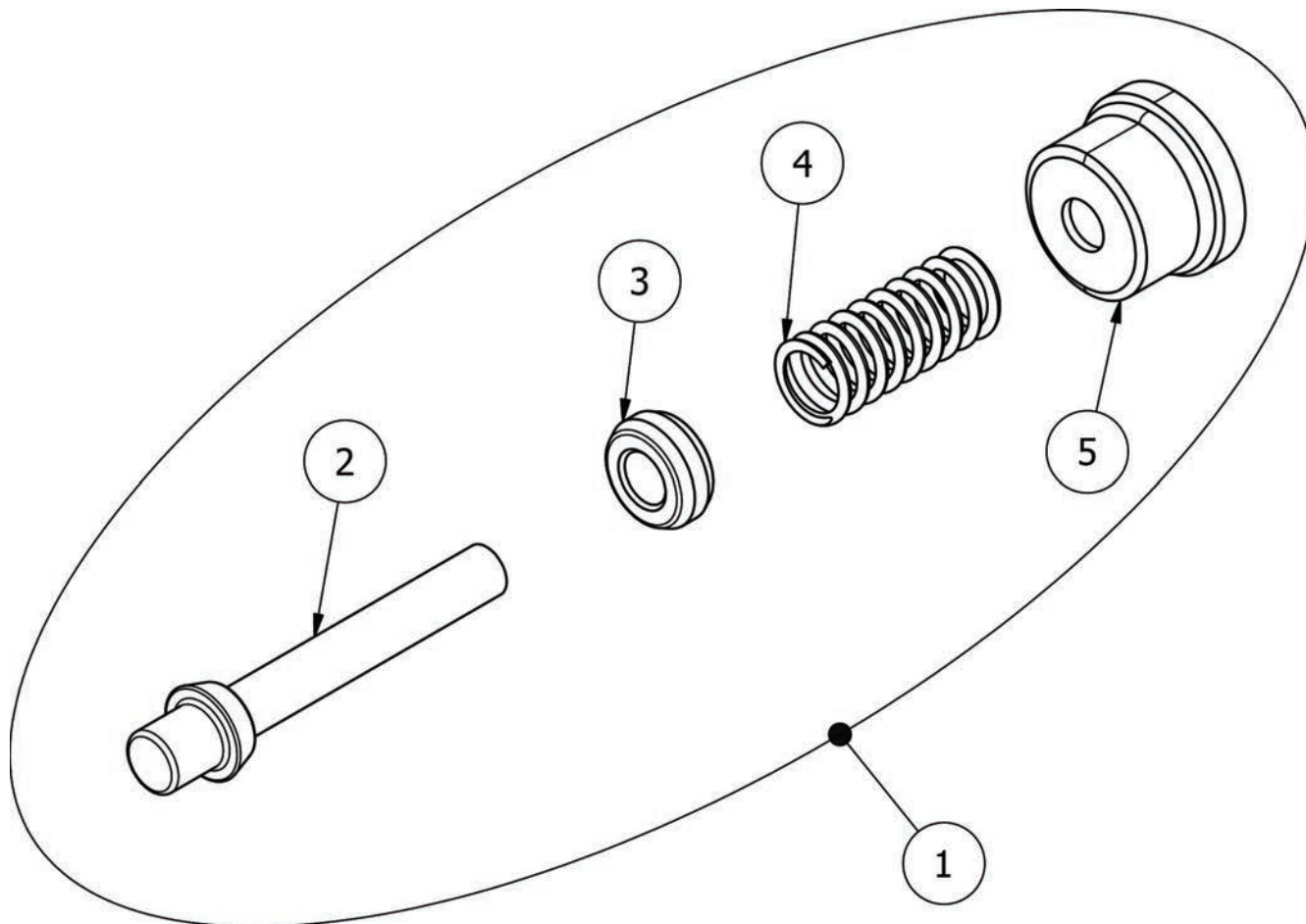
Use hydraulic oil or Vaseline to lubricate seals. Do NOT use grease!

K-87689

Check Valve Assembly

ID#	Qty	Part #	Description
1	4	08768901	Check Valve Assembly (Includes Items 2-5)
2	1	07504701	Check Valve Poppet
3	1	84450220	Spring B3-43
4	1	84386800	O-Ring 906
5	1	06351701	Extended Hex Cap -6

Restrictor Valve Assembly



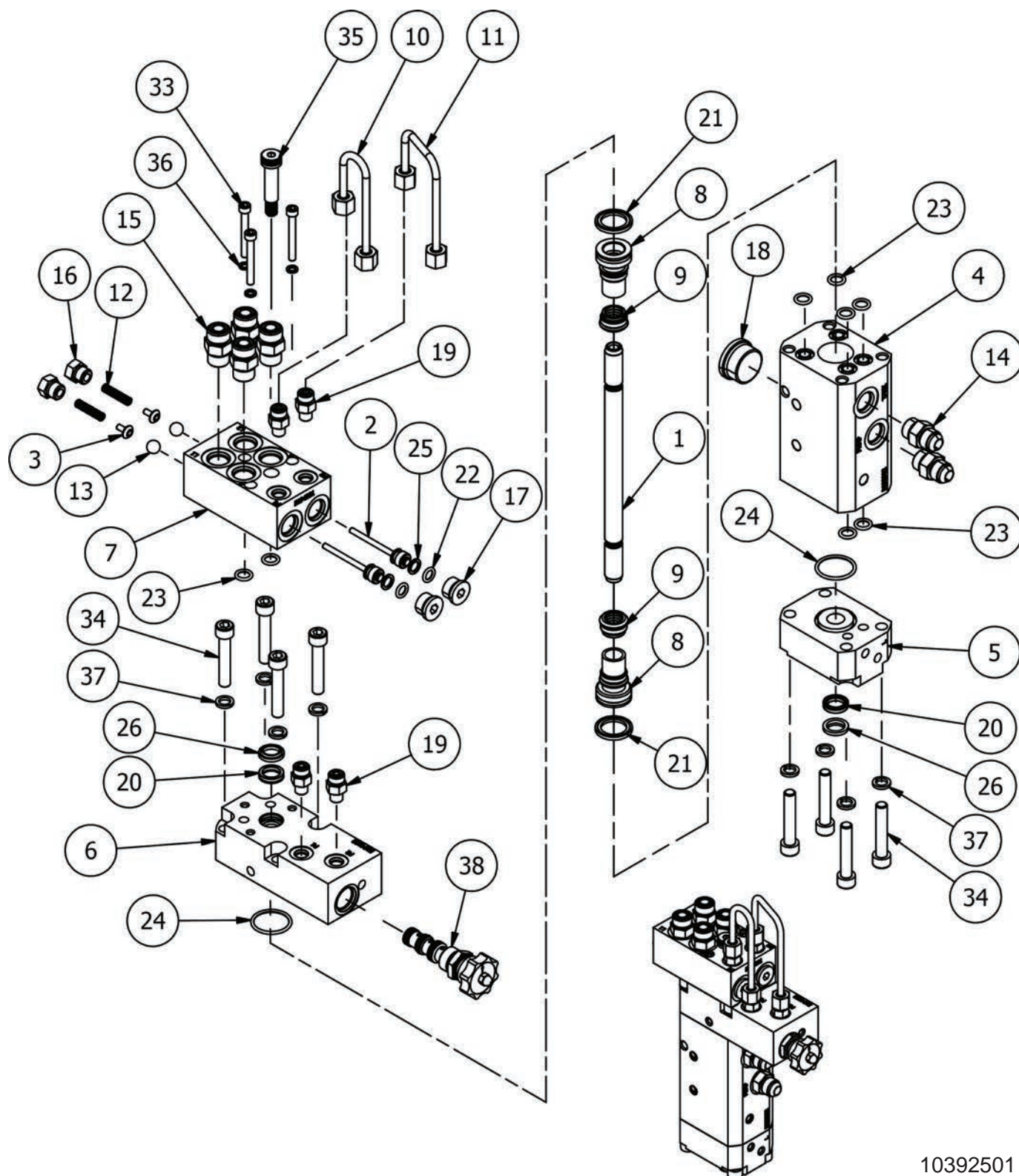
Use hydraulic oil or Vaseline to lubricate seals. Do NOT use grease!

K-87690

Restrictor Valve Assembly

ID#	Qty	Part #	Description
1	4	08769001	Restrictor Valve Assembly (Includes Items 2-5)
2	1	05110701	Restrictor Valve Rod
3	1	05110601	SAE O-Ring Hex Socket, -8, Parker
4	1	84457000	Spring 71401
5	1	05110901	Restrictor Valve Collar

Switching Valve Assembly - ORFS

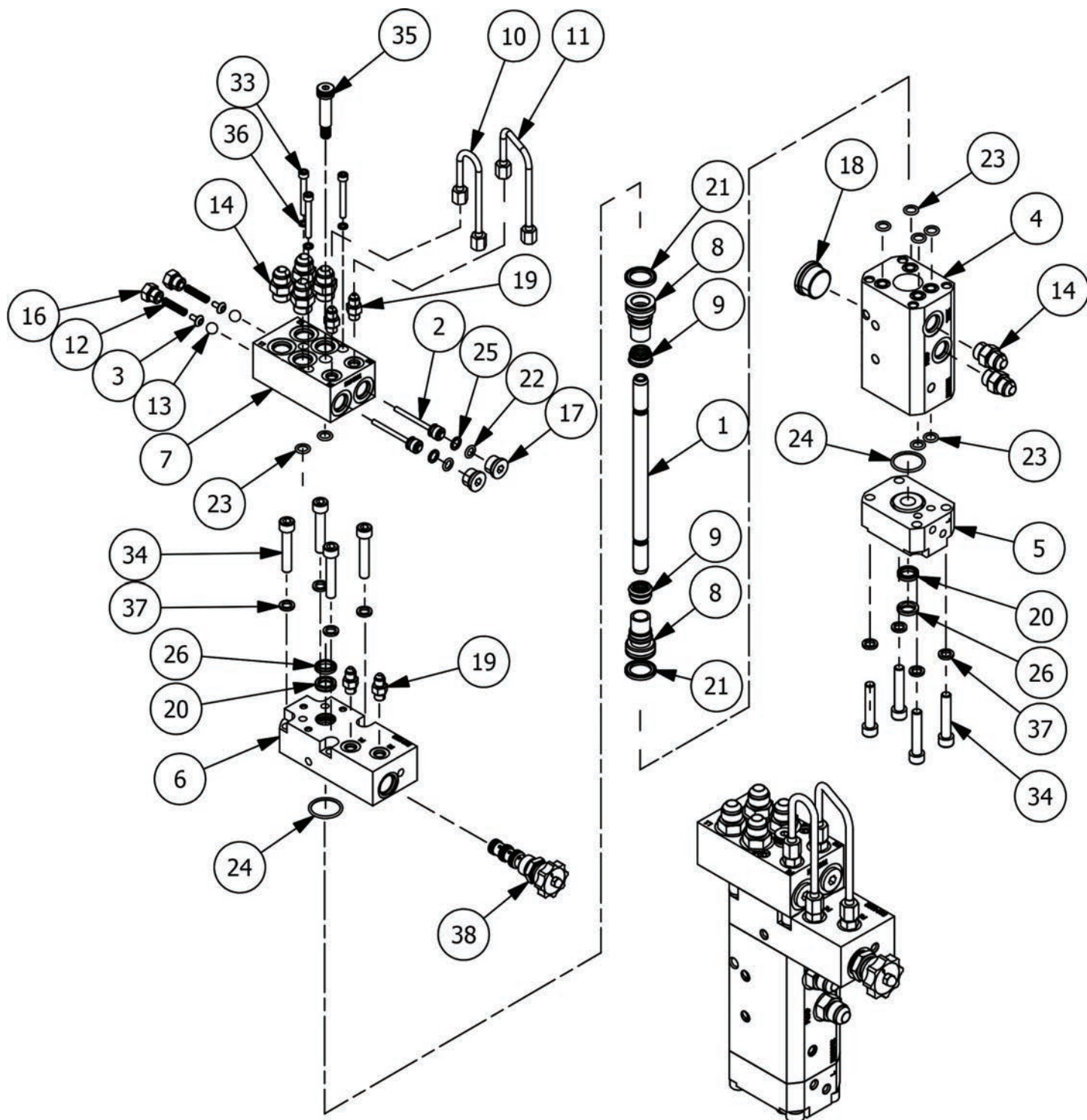


10392501

Switching Valve Assembly - ORFS

ID#	Qty	Part #	Description
-	1	10392501	Switching Valve Assembly ORFS, Manual Control Valve (Includes Items 1-38)
-	1	10392401	Switching Valve Assembly ORFS, Electric Control Valve (Includes Items 1-37, 39)
1	1	01335502	POPPET SWITCHING VALVE ROD
2	2	05110501	9/16" CHECK VALVE POPPET STRETCHED CONTROL VALVE
3	2	05110801	SPRING FOLLOWER, STRETCHED CTRL VLV, MINI DRIVE
4	1	05193902	KMD SWITCHING VALVE BODY 10 GPM
5	1	05194001	LEFT END CAP, KMD SWITCHING VALVE 10 GPM
6	1	05194102	RIGHT END CAP KMD SWITCHING VALVE W/SV10-40 10 GPM
7	1	05194201	BODY INTEGRATED CONTROL VALVE, KMD 250/300 SWITCHING VALVE
8	2	05194301	POPPET KMD SWITCHING VALVE
9	2	05194401	POPPET RING
10	1	10390901	TUBE 1/4 KMD FACE SEAL SWITCHING VALVE P1 TO P1
11	1	10391001	TUBE 1/4 KMD FACE SEAL SWITCHING VALVE P2 TO P2
12	2	84450850	SPRING SMALL I-65 KMD
13	2	84800530	BALL 15/32 CHROME ST KMD250/300
14	2	84684300	08 F5OX-S STRAIGHT THREAD CONNECTOR MJIC X M O-RING
15	4	84685683	-8 F5OLO-S 8-8 STRAIGHT THREAD CONNECTOR, FACE SEAL
16	2	84686600	06 P5ON-S HEX HEAD PLUG M O-RING HEX CAP
17	2	84687500	08 HP5ON-S HOLLOW HEX PLUG M O-RING
18	1	84687900	16 HP5ON-S HOLLOW HEX PLUG M O-RING HEX SOCKET
19	4	84703922	-4 F5OLO-S ORFS/SAE-ORB
20	2	84352200	SEAL ROD 5/8" CHECK VALVE EXTERNAL
21	2	84355050	SEAL, KMD 250/300 POPPET
22	2	84376000	110 O-RING BUNA 90
23	8	84376200	111 O-RING BUNA 90
24	2	84378000	O-RING #124 BUNA-N 90 DURO
25	2	84388890	110 BACK-UP BUNA 90
26	2	84426800	WIPER CHECK VALVE EXTERNAL 5/8"
33	3	87004410	BOLT SOCKET HEAD 6MMX50MM
34	8	87008537	BOLT SOCKET HEAD 10MMX55MM
35	1	87012460	M10x40mm SHOULDER BOLT
36	3	87075510	WASHER LOCK HIGH COLLAR 6mm
37	8	87076510	WASHER LOCK HIGH COLLAR 10mm
38	1	85105200	CARTRIDGE VALVE, MRV4-10
39	1	85108800	VALVE CART. SV10-40M-0-N-00 HF
-	-	85108798	Seal Kit for Cartridge Valves (#38 & #39)

Switching Valve Assembly - JIC



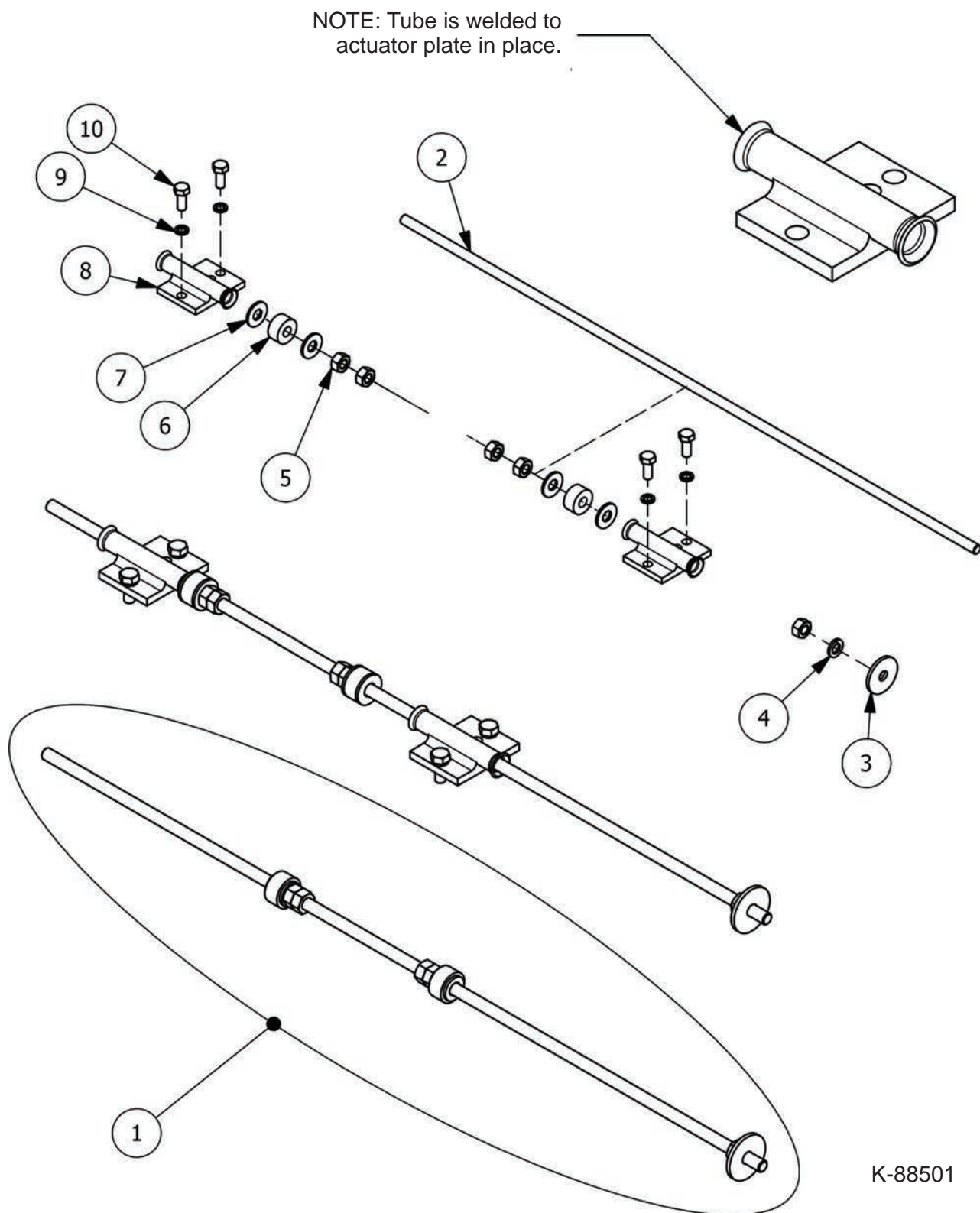
Use hydraulic oil or Vaseline to lubricate seals. Do NOT use grease!

K-51537

Switching Valve Assembly - JIC

ID#	Qty	Part #	Description
-	1	05153701	Switching Valve Assembly, Manual Control Valve (Includes Items 1-38)
-	1	05153702	Switching Valve Assembly, Electric Control Valve (Includes Items 1-37 & 39)
1	1	01335502	POPPET SWITCHING VALVE ROD
2	2	05110501	9/16" CHECK VALVE POPPET STRETCHED CONTROL VALVE
3	2	05110801	SPRING FOLLOWER, STRETCHED CTRL VLV, MINI DRIVE
4	1	05193902	SWITCHING VALVE BODY, KMD 250/300
5	1	05194001	LEFT END CAP, SWITCHING VALVE, KMD 250/300
6	1	05194102	RIGHT END CAP, SWITCHING VALVE, KMD 250/300
7	1	05194201	INTEGRATED CONTROL VALVE BODY, KMD 250/300 SWITCHING VALVE
8	2	05194301	POPPET KMD SWITCHING VALVE
9	2	05194401	POPPET RING
10	1	05225701	PILOT LINE, P1 - P1
11	1	05227601	PILOT LINE, P2 - P2
12	2	84450850	SPRING I-65
13	2	84800530	STEEL BALL, CHROME, 15/32
14	6	84684300	08 F5OX-S STRAIGHT THREAD CONNECTOR MJIC X M O-RING
16	2	84686600	06 P5ON-S HEX HEAD PLUG M O-RING HEX CAP
17	2	84687500	08 HP5ON-S HOLLOW HEX PLUG M O-RING
18	1	84687900	16 HP5ON-S HOLLOW HEX PLUG M O-RING HEX SOCKET
19	4	84683800	04 F5OX-S STRAIGHT THREAD CONNECTOR MJIC X M O-RING
-	-	05368001	Switching Valve Seal Kit KMD 250/300 (Includes items 20-32 & 40)
-	-	85108798	Seal Kit for Cartridge Valves (#38 & #39)
20	2	84352200	SEAL ROD 5/8" CHECK VALVE EXTERNAL
21	2	84355050	SEAL, KMD 250/300 POPPET
22	2	84376000	110 O-RING BUNA 90
23	8	84376200	111 O-RING BUNA 90
24	2	84378000	O-RING #124 BUNA-N 90 DURO
25	2	84388890	110 BACK-UP BUNA 90
26	2	84426800	WIPER CHECK VALVE EXTERNAL 5/8" SNAP IN (Nov 2014 - Present)
		84427200	WIPER CANNED 5/8" ROD 4700625 (Pre - Nov 2014)
28	4	84386600	904 O-RING BUNA 90
29	2	84386800	906 O-RING BUNA 90
30	8	84387000	908 O-RING BUNA 90
32	1	84387800	916 O-RING BUNA 90
33	3	87004410	BOLT SOCKET HEAD 6MMX50MM
34	8	87008537	BOLT SOCKET HEAD 10MMX55MM
35	1	87012460	SHOULDER BOLT, 12X40mm, MODIFIED
36	3	87075510	WASHER LOCK HIGH COLLAR 6mm
37	8	87076510	Hi-Collar Lock Washer - M10
38	1	85105200	CARTRIDGE VALVE, MRV4-10
39	1	85108800	VALVE CART. SV10-40M-0-N-00 HF
40	1	05574701	KMD POPPET SEAL INSTALLATION TOOL

Switching Valve Actuator Assembly

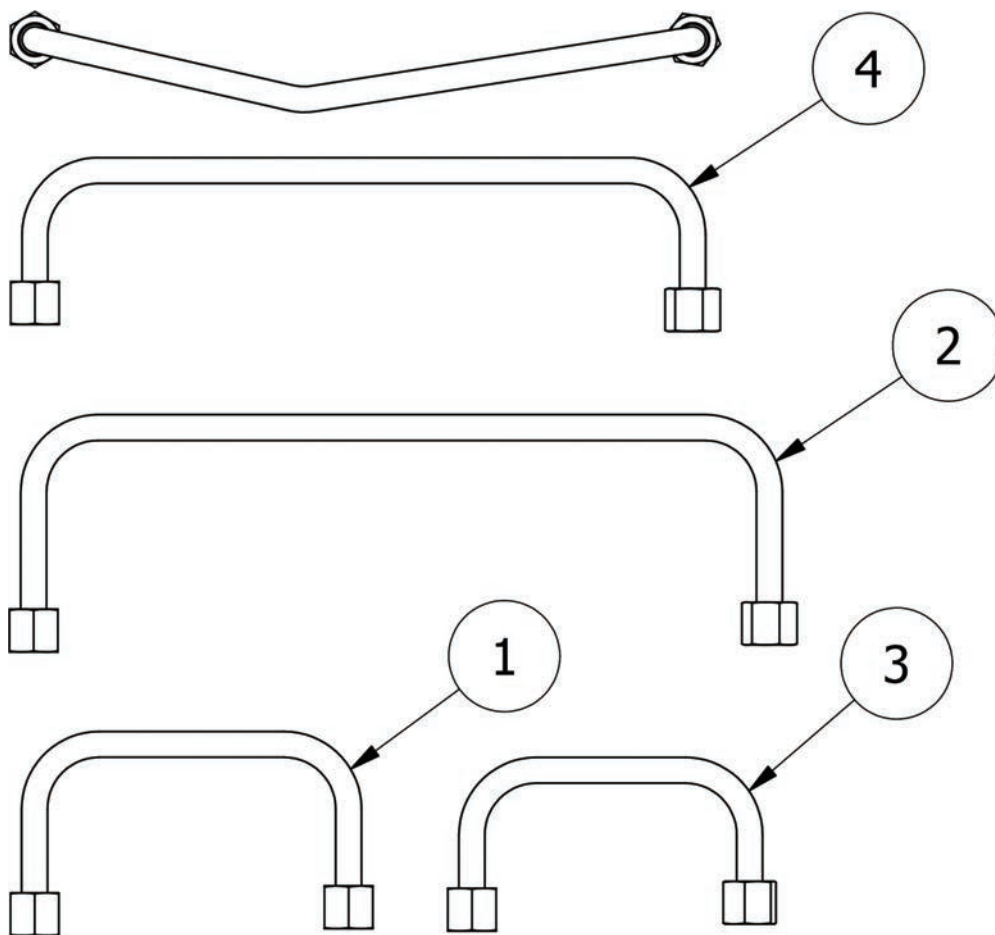


K-88501

Switching Valve Actuator Assembly

ID#	Qty	Part #	Description
1	4	08838001	Switching Valve Actuator Assembly (Includes Items 2-7)
2	1	87151005	10mm Threaded Rod, 737mm (29") long
3	1	86553500	WASHER FENDER 3/8" X 1-1/2"
4	1	87076500	10mm Lock Washer
5	5	87101500	10mm Hex Nut
6	2	83217512	Grommet 1"OD X .406 ID X 1/2 NEO 60
7	4	86554001	3/8" x 1 x 0.083" Flat Washer
8	2	05171101	Tube Actuator
9	4	87005770	M8 x 1.25 x 20 Hex Bolt
10	4	87075750	M8 Lock Washer

Inside Tubes - Left Hand Drive - ORFS

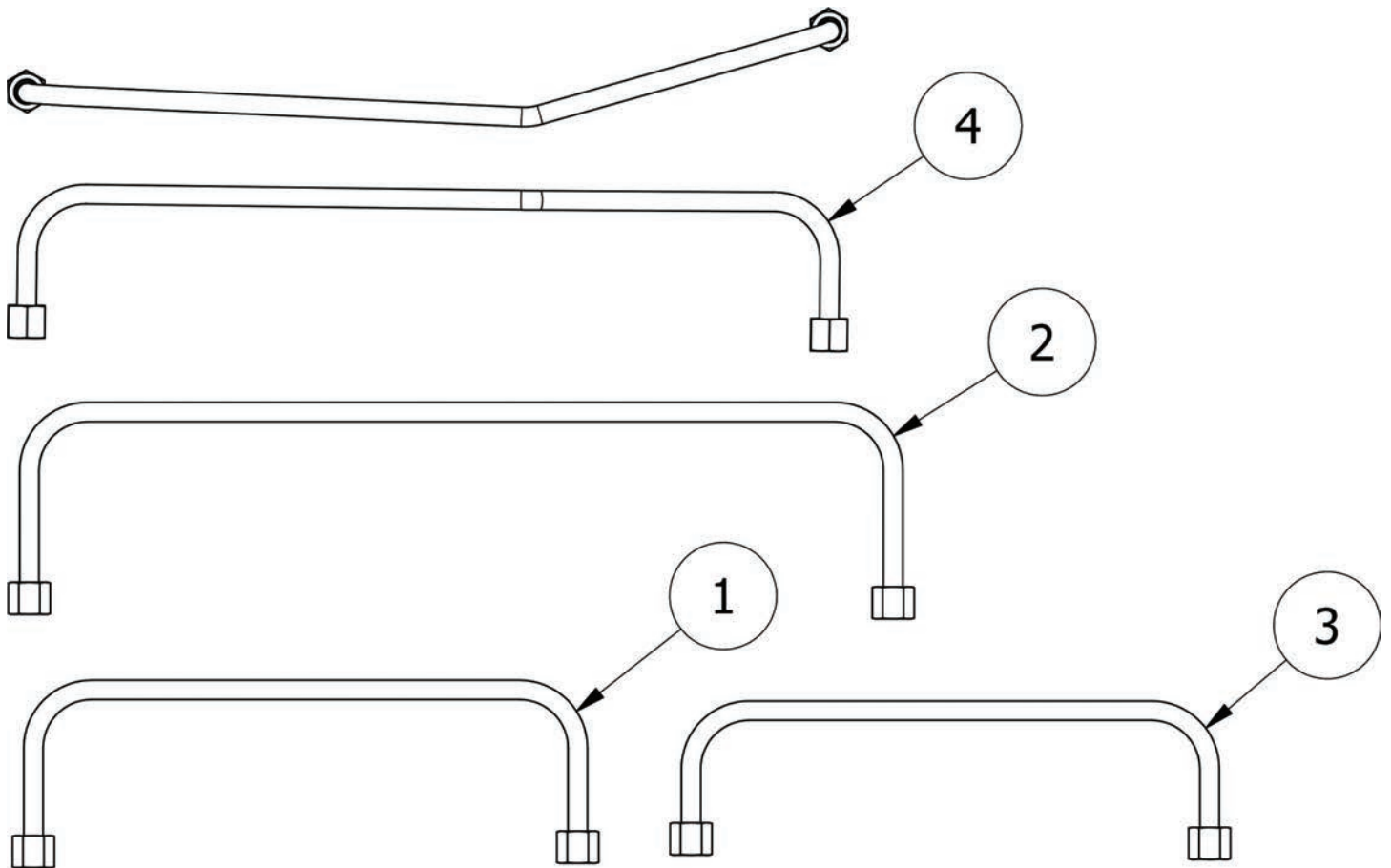


10433101

Inside Tubes - Left Hand Drive - ORFS

ID#	Qty	Part #	Description
-	1	10433101	Left Hand Drive Inside Tube Package - ORFS (Includes Items 1-4)
1	1	10411801	1/2" Tube, Left Hand Drive, Inside A-A
2	1	10411901	1/2" Tube, Left Hand Drive, Inside B-B
3	1	10412001	1/2" Tube, Left Hand Drive, Inside L1-L1
4	1	10412101	1/2" Tube, Left Hand Drive, Inside L2-L2

Outside Tubes - Left Hand Drive - ORFS

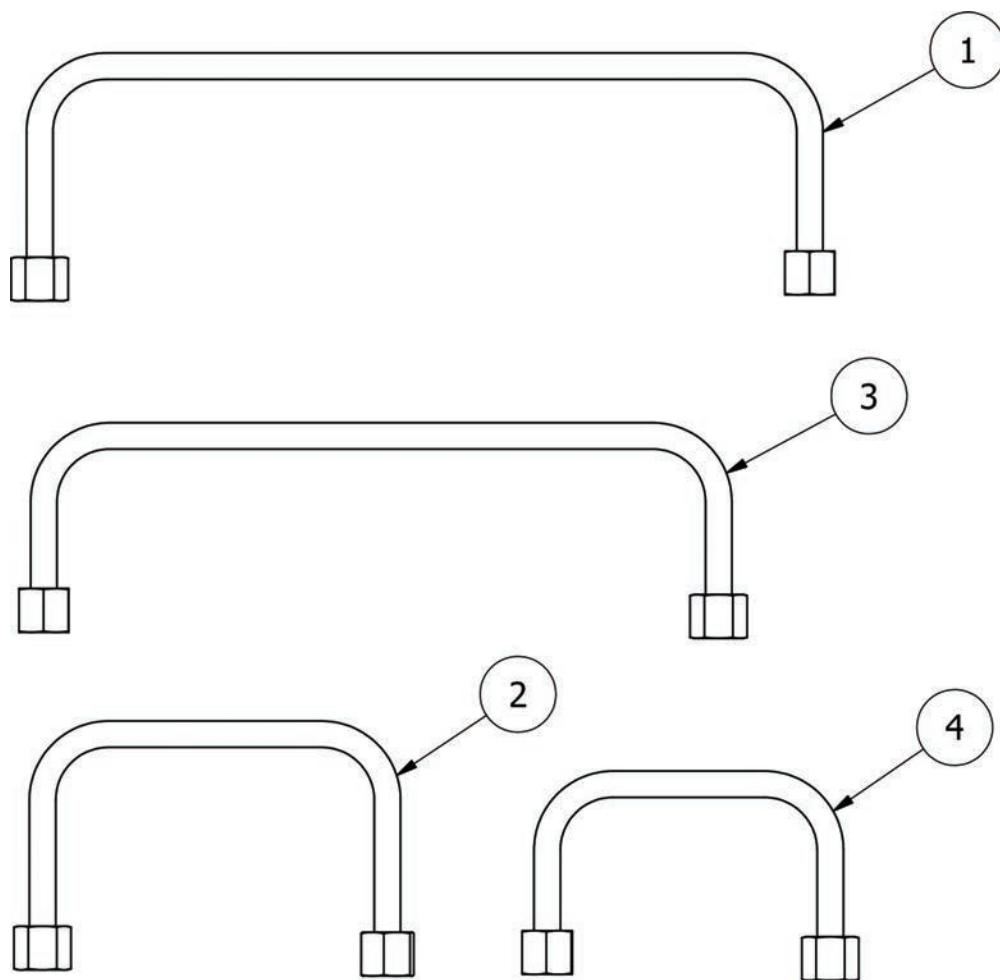


10394801

Outside Tubes - Left Hand Drive - ORFS

ID#	Qty	Part #	Description
-	1	10394801	Left Hand Drive Outside Tube Package - ORFS (Includes Items 1-4)
1	1	10391501	1/2" Tube, Left Hand Drive, Outside A-A
2	1	10391601	1/2" Tube, Left Hand Drive, Outside B-B
3	1	10391701	1/2" Tube, Left Hand Drive, Outside L1-L1
4	1	10391801	1/2" Tube, Left Hand Drive, Outside L2-L2

Inside Tubes - Right Hand Drive - ORFS

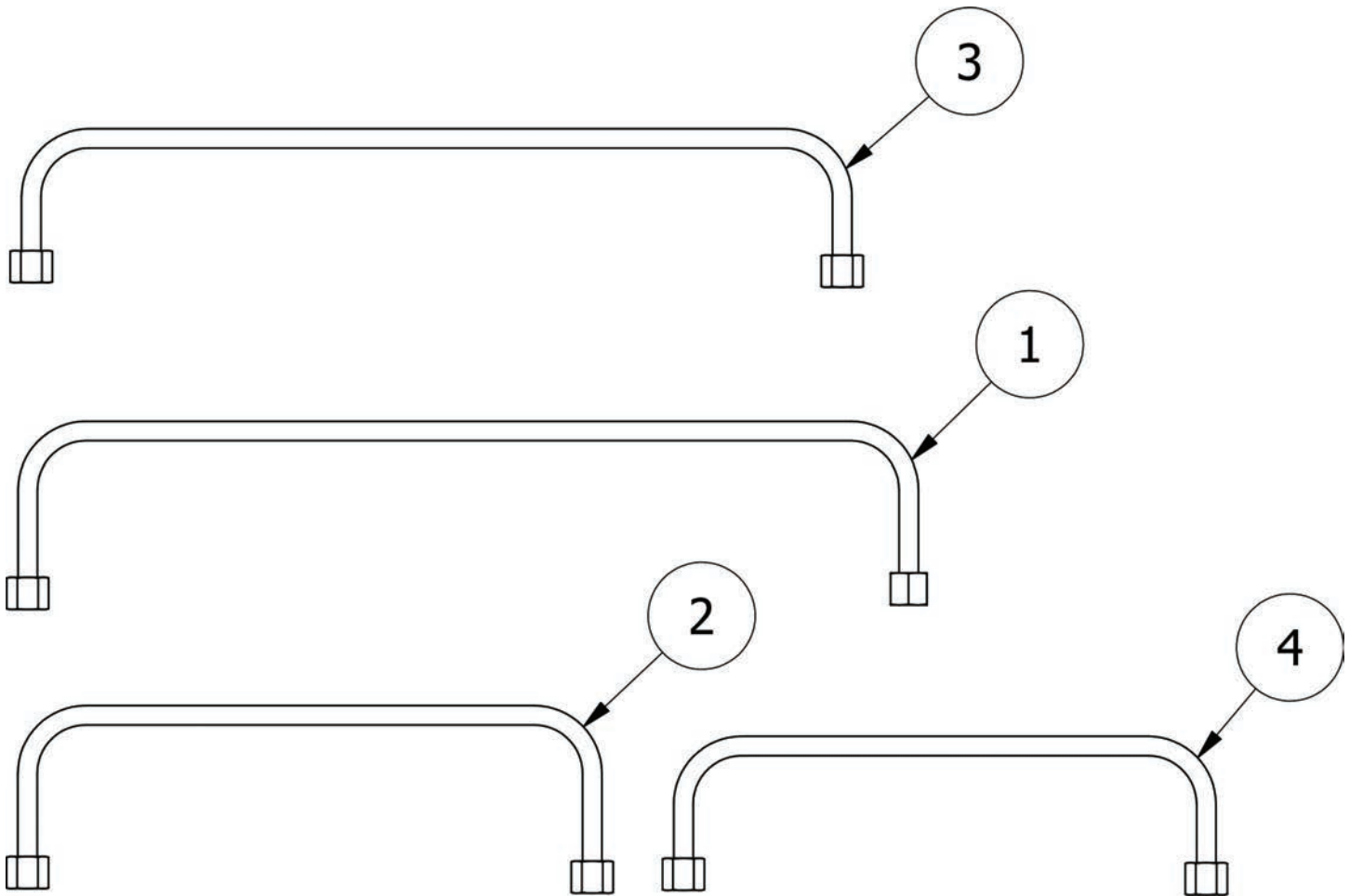


10433201

Inside Tubes - Right Hand Drive - ORFS

ID#	Qty	Part #	Description
-	1	10433201	Right Hand Drive Inside Tube Package - ORFS (Includes Items 1-4)
1	1	10411401	1/2" Tube, Right Hand Drive, Inside A-A
2	1	10411501	1/2" Tube, Right Hand Drive, Inside B-B
3	1	10411601	1/2" Tube, Right Hand Drive, Inside L1-L1
4	1	10411701	1/2" Tube, Right Hand Drive, Inside L2-L2

Outside Tubes - Right Hand Drive - ORFS

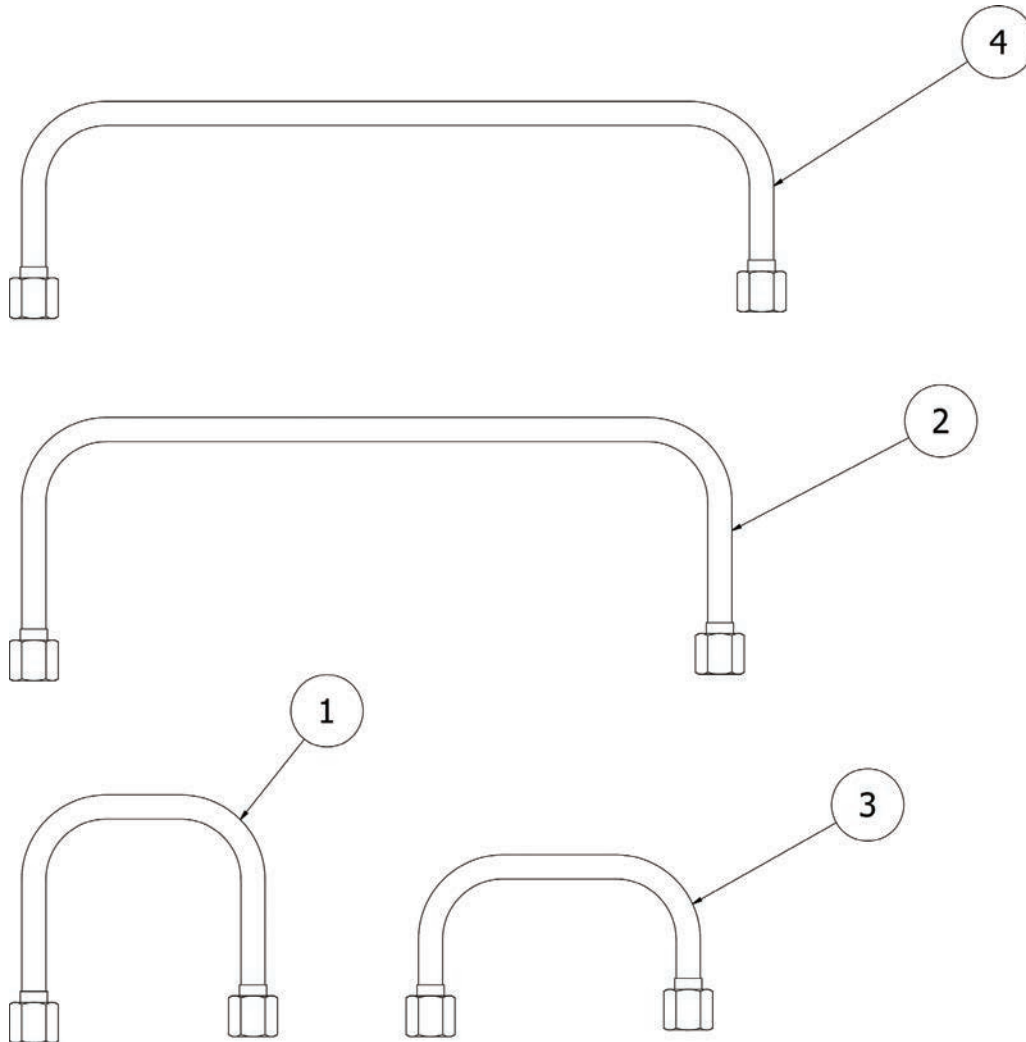


10394901

Outside Tubes - Right Hand Drive - ORFS

ID#	Qty	Part #	Description
-	1	10394901	Right Hand Drive Outside Tube Package - ORFS (Includes Items 1-4)
1	1	10391101	1/2" Tube, Right Hand Drive, Outside A-A
2	1	10391201	1/2" Tube, Right Hand Drive, Outside B-B
3	1	10391301	1/2" Tube, Right Hand Drive, Outside L1-L1
4	1	10391401	1/2" Tube, Right Hand Drive, Outside L2-L2

Inside Tubes - Left Hand Drive - JIC

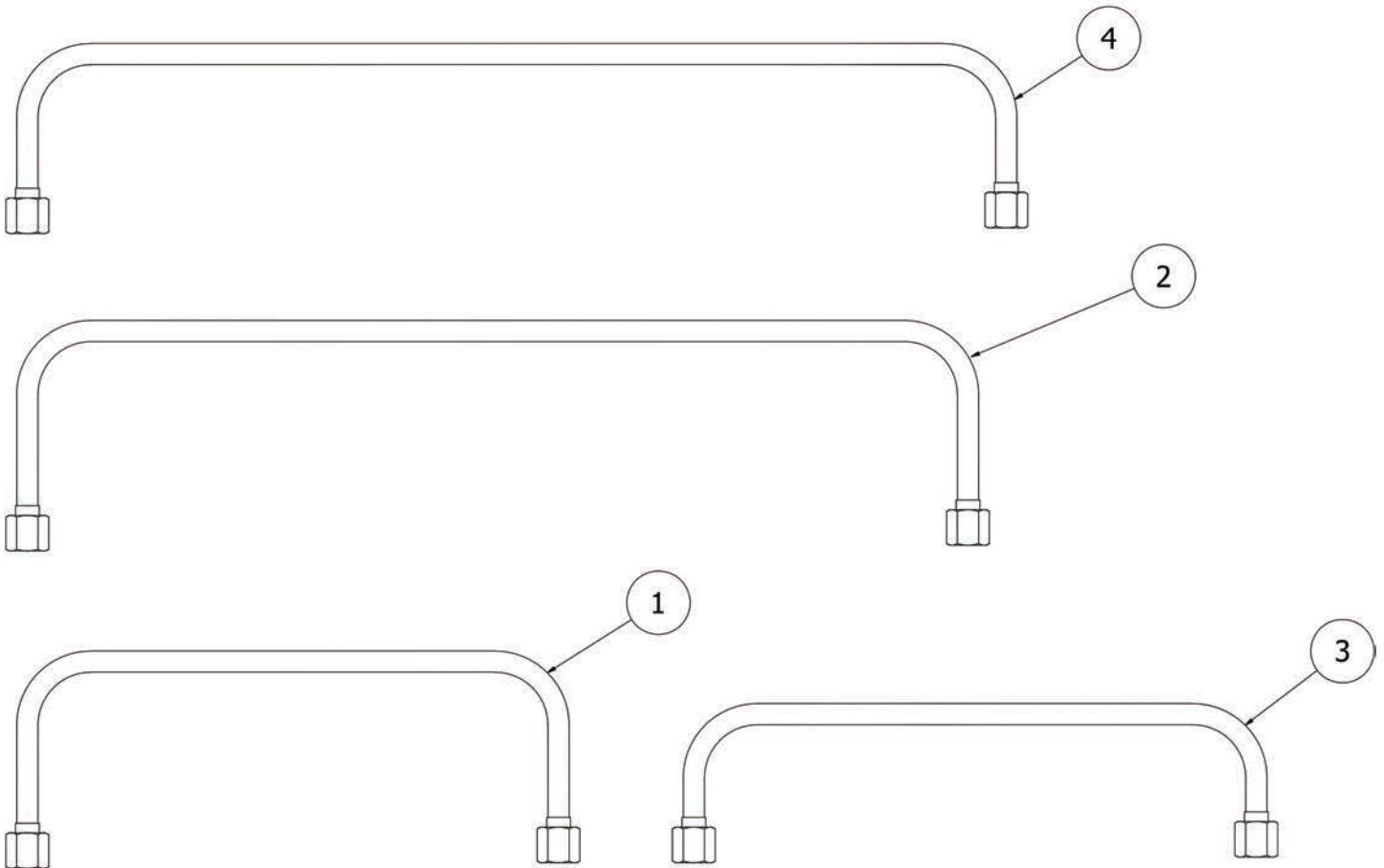


K-52328

Inside Tubes - Left Hand Drive - JIC

ID#	Qty	Part #	Description
-	1	05232801	Left Hand Drive Inside Tube Package - JIC (Includes Items 1-4)
1	1	05222801	1/2" Tube, Left Hand Drive, Inside A-A
2	1	05222901	1/2" Tube, Left Hand Drive, Inside B-B
3	1	05223001	1/2" Tube, Left Hand Drive, Inside L1-L1
4	1	05223101	1/2" Tube, Left Hand Drive, Inside L2-L2-A

Outside Tubes - Left Hand Drive - JIC

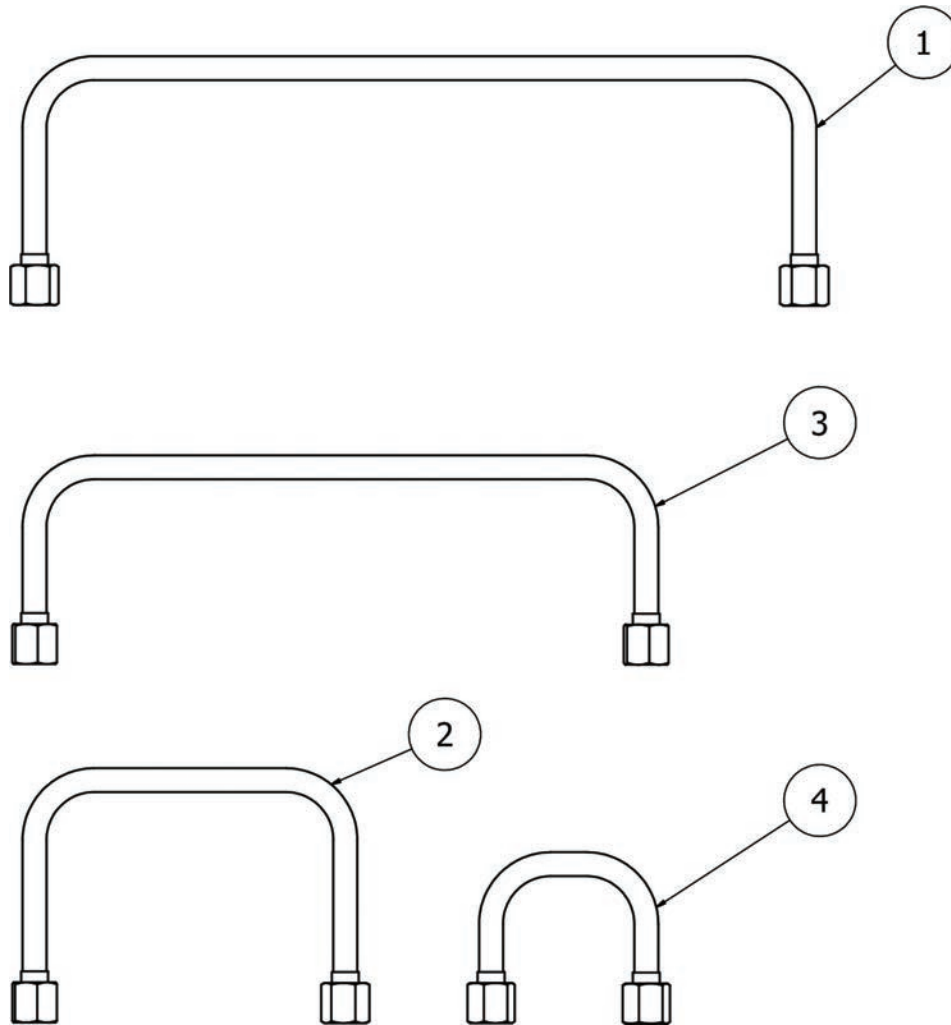


K-52327

Outside Tubes - Left Hand Drive - JIC

ID#	Qty	Part #	Description
-	1	05232701	Left Hand Drive Outside Tube Package - JIC (Includes Items 1-4)
1	1	05223201	1/2" Tube, Left Hand Drive, Outside A-A
2	1	05223301	1/2" Tube, Left Hand Drive, Outside B-B
3	1	05223401	1/2" Tube, Left Hand Drive, Outside L1-L1
4	1	05223501	1/2" Tube, Left Hand Drive, Outside L2-L2-A

Inside Tubes - Right Hand Drive - JIC

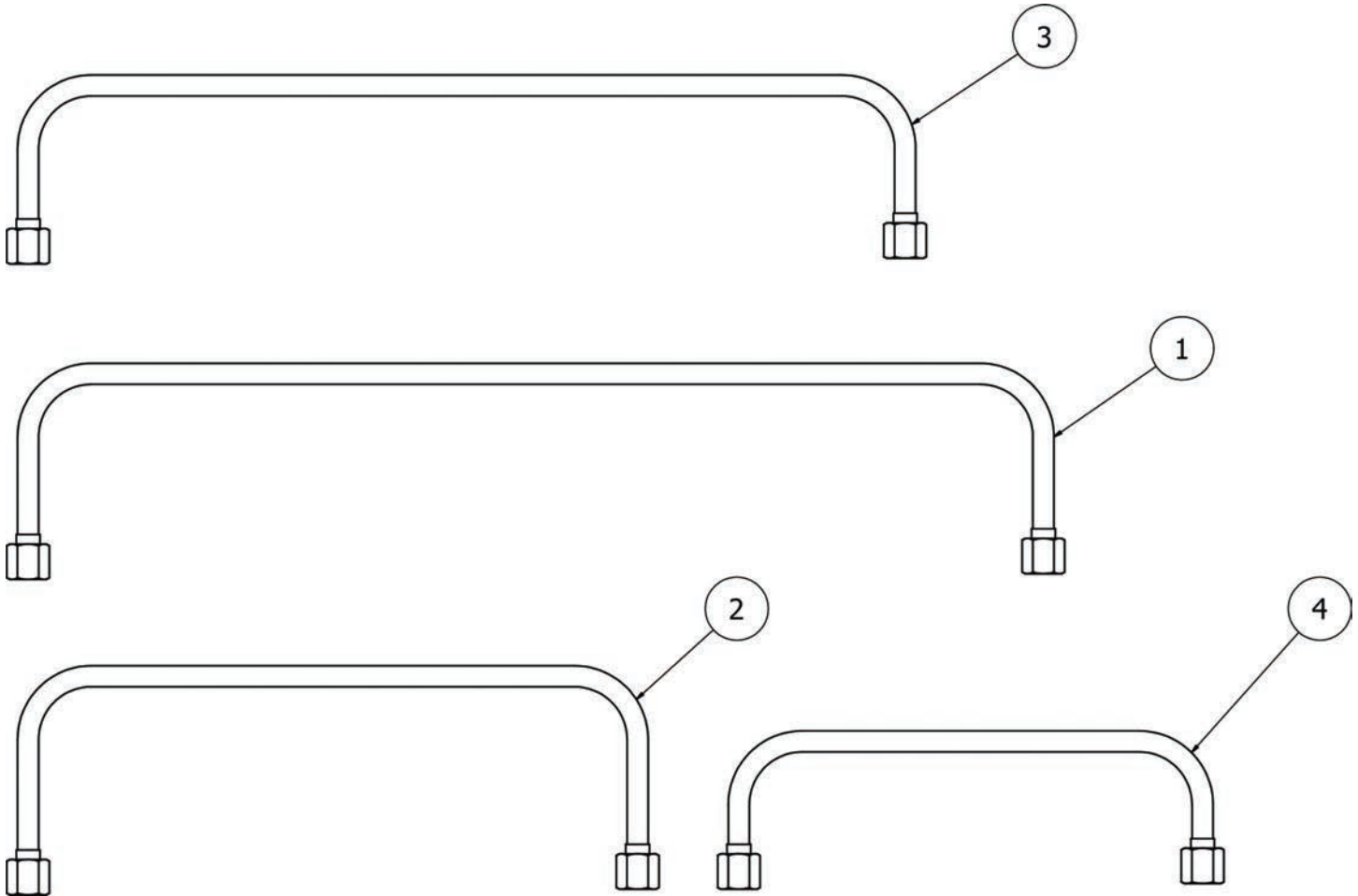


K-52330

Inside Tubes - Right Hand Drive - JIC

ID#	Qty	Part #	Description
-	1	05233001	Right Hand Drive Inside Tube Package - JIC (Includes Items 1-4)
1	1	05223601	1/2" Tube, Right Hand Drive, Inside A-A
2	1	05223701	1/2" Tube, Right Hand Drive, Inside B-B
3	1	05223801	1/2" Tube, Right Hand Drive, Inside L1-L1
4	1	05223901	1/2" Tube, Right Hand Drive, Inside L2-L2-A

Outside Tubes - Right Hand Drive - JIC

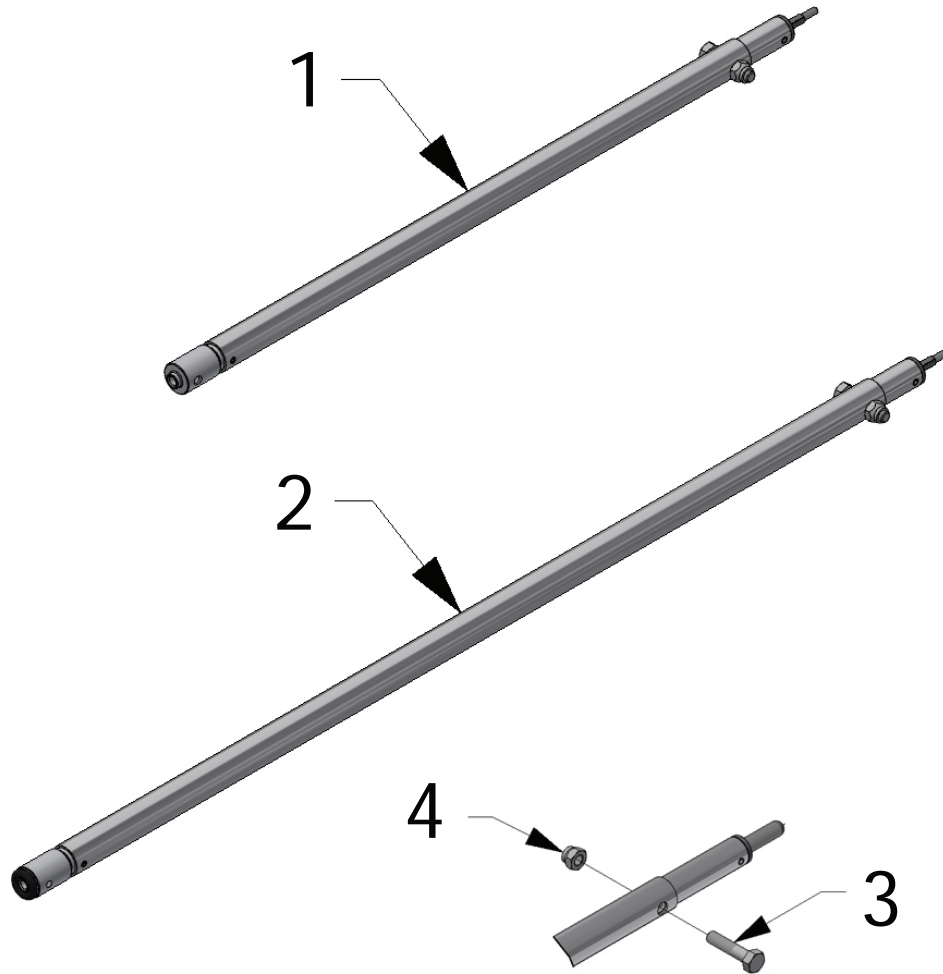


K-52329

Outside Tubes - Right Hand Drive - JIC

ID#	Qty	Part #	Description
-	1	05232901	Right Hand Drive Outside Tube Package - JIC (Includes Items 1-4)
1	1	05224001	1/2" Tube, Right Hand Drive, Outside A-A
2	1	05224101	1/2" Tube, Right Hand Drive, Outside B-B
3	1	05224201	1/2" Tube, Right Hand Drive, Outside L1-L1
4	1	05224301	1/2" Tube, Right Hand Drive, Outside L2-L2-A

Handle Assemblies



Handle Assemblies

ID#	Qty	Part #	Description
1	-	11263001	Telescoping 23-39" Rotary Control Valve Handle Assembly Metric (Includes items 3-4)
2	-	11263101	Telescoping 33-59" Rotary Control Valve Handle Assembly Metric (Includes items 3-4)
3	1	87005950	BOLT HEX 8.8 8-1.25MM X 35MM ZN
4	2	87101000	NUT HEX NYLOCK 8MM-1.25

(Final Page)